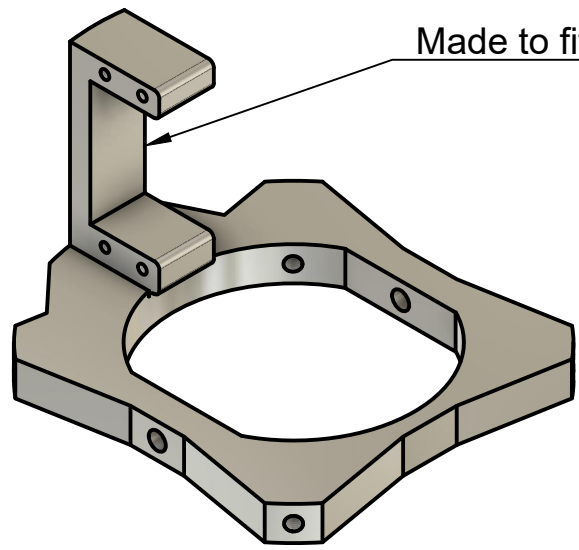


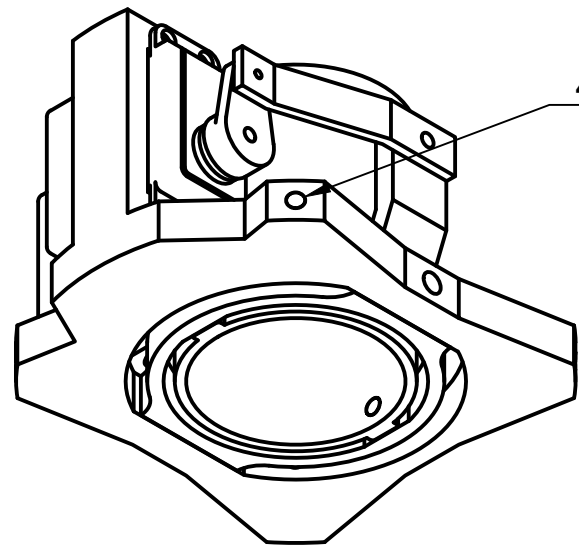
1 2 3 4 5 6 7 8

A
B
C
D
E
F

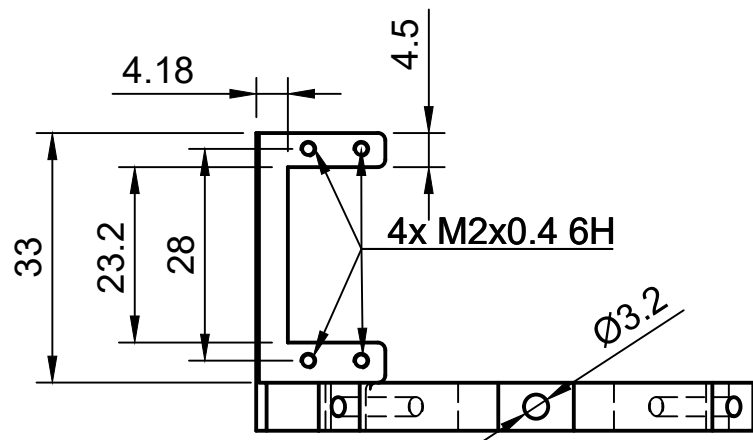
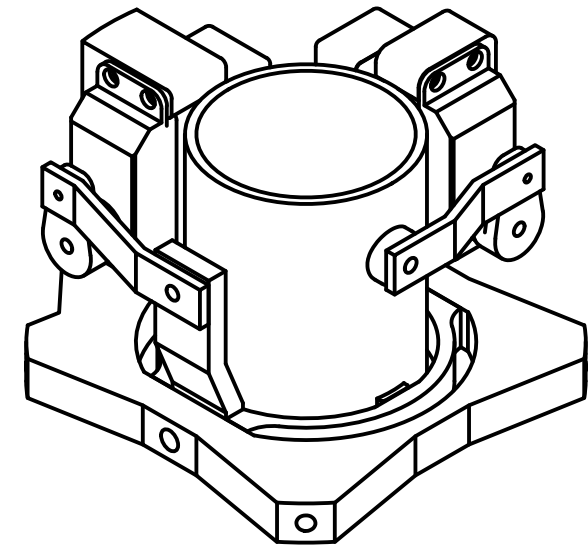
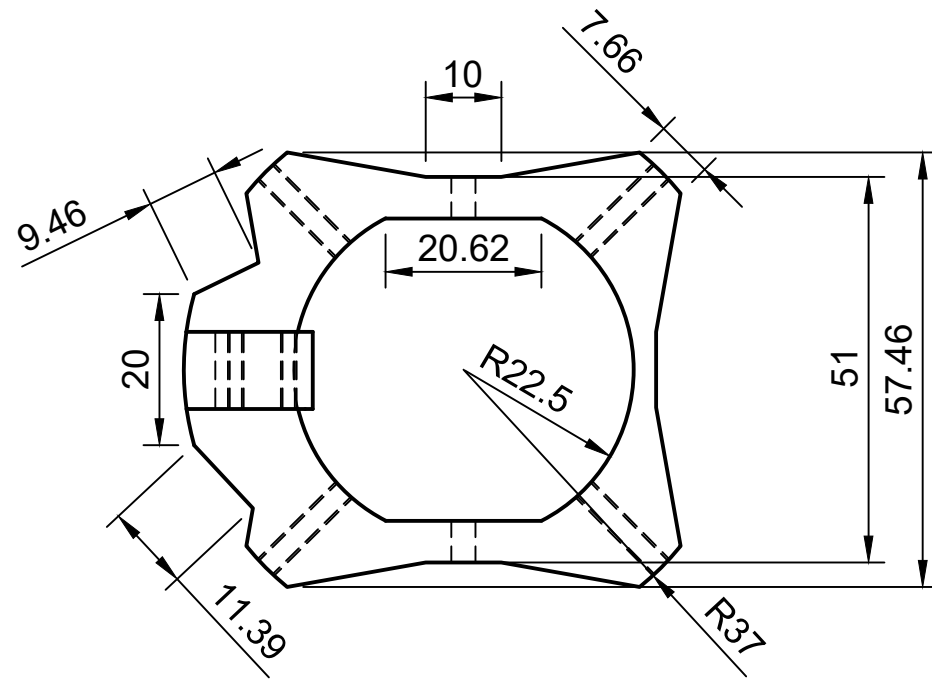
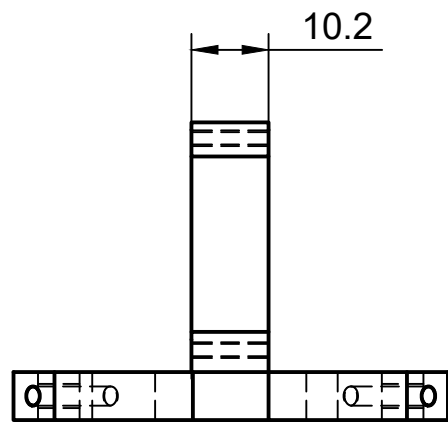
A
B
C
D
E
F



Made to fit HV93i servo motors



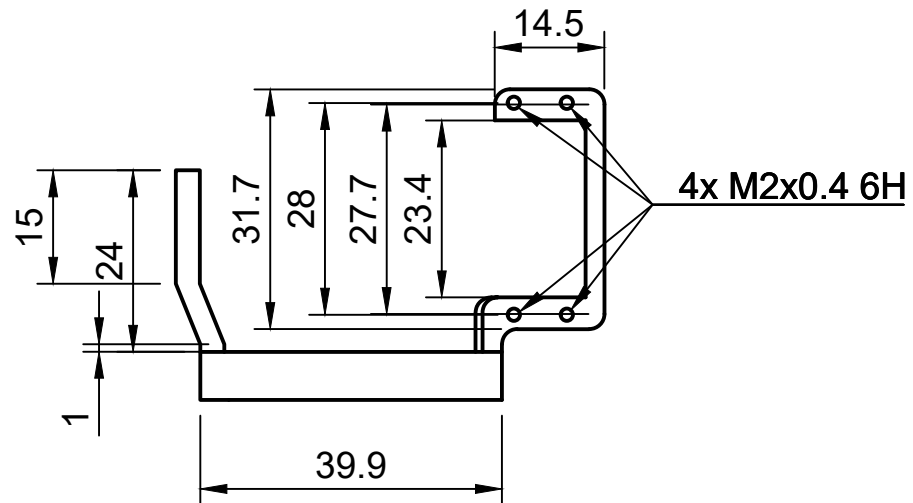
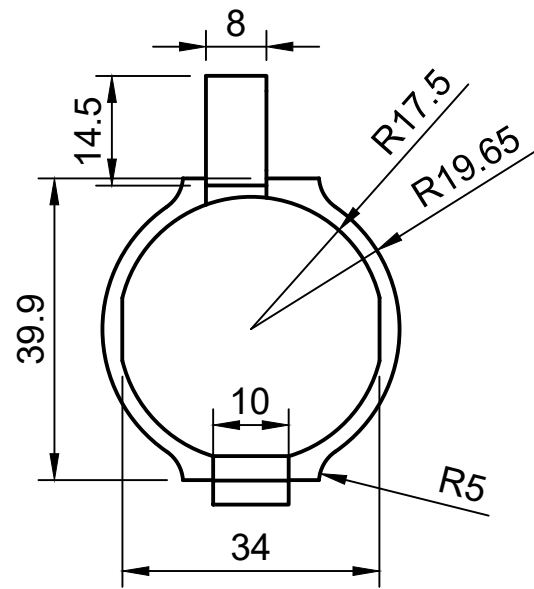
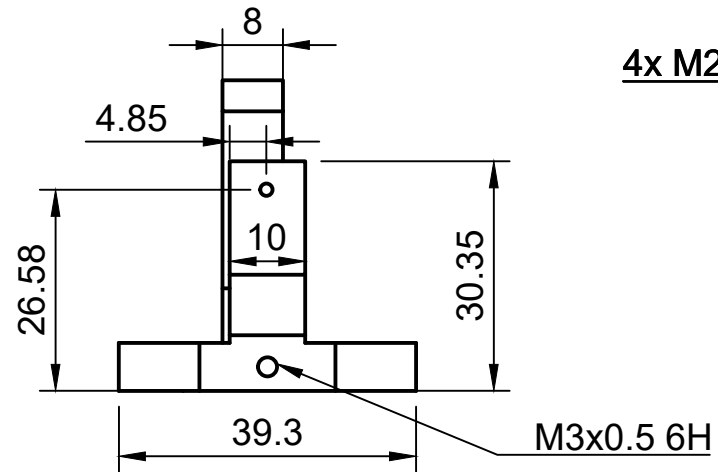
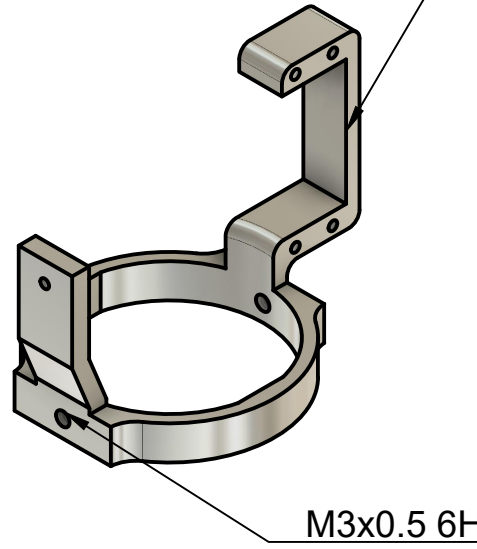
4x M3x0.5 6H



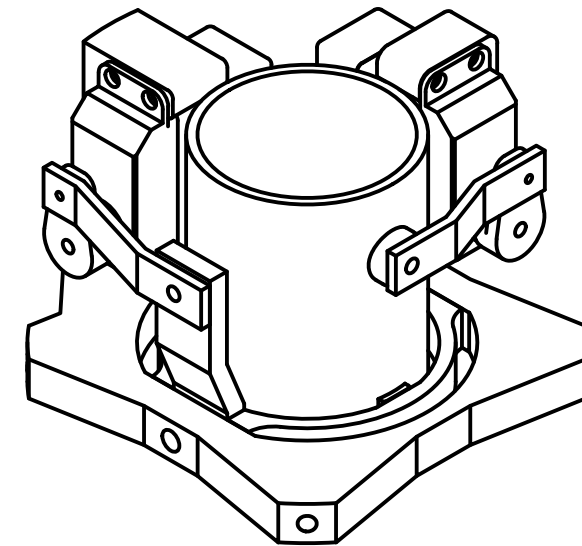
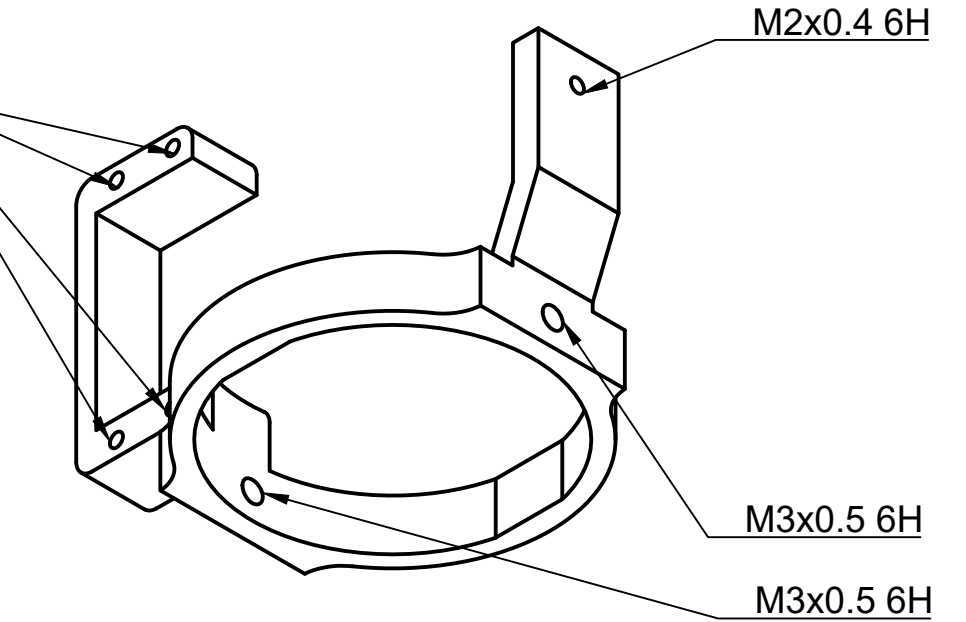
Dept.	Technical reference	Created by Marcelo Goluboff 11/14/2023	Approved by	
		Document type	Document status	
		Title TVC Mount - Metal Outer Mount	DWG No.	
Rev.	Date of issue		Sheet	
1	11/14/2023	1/5		

1 2 3 4 5 6 7 8

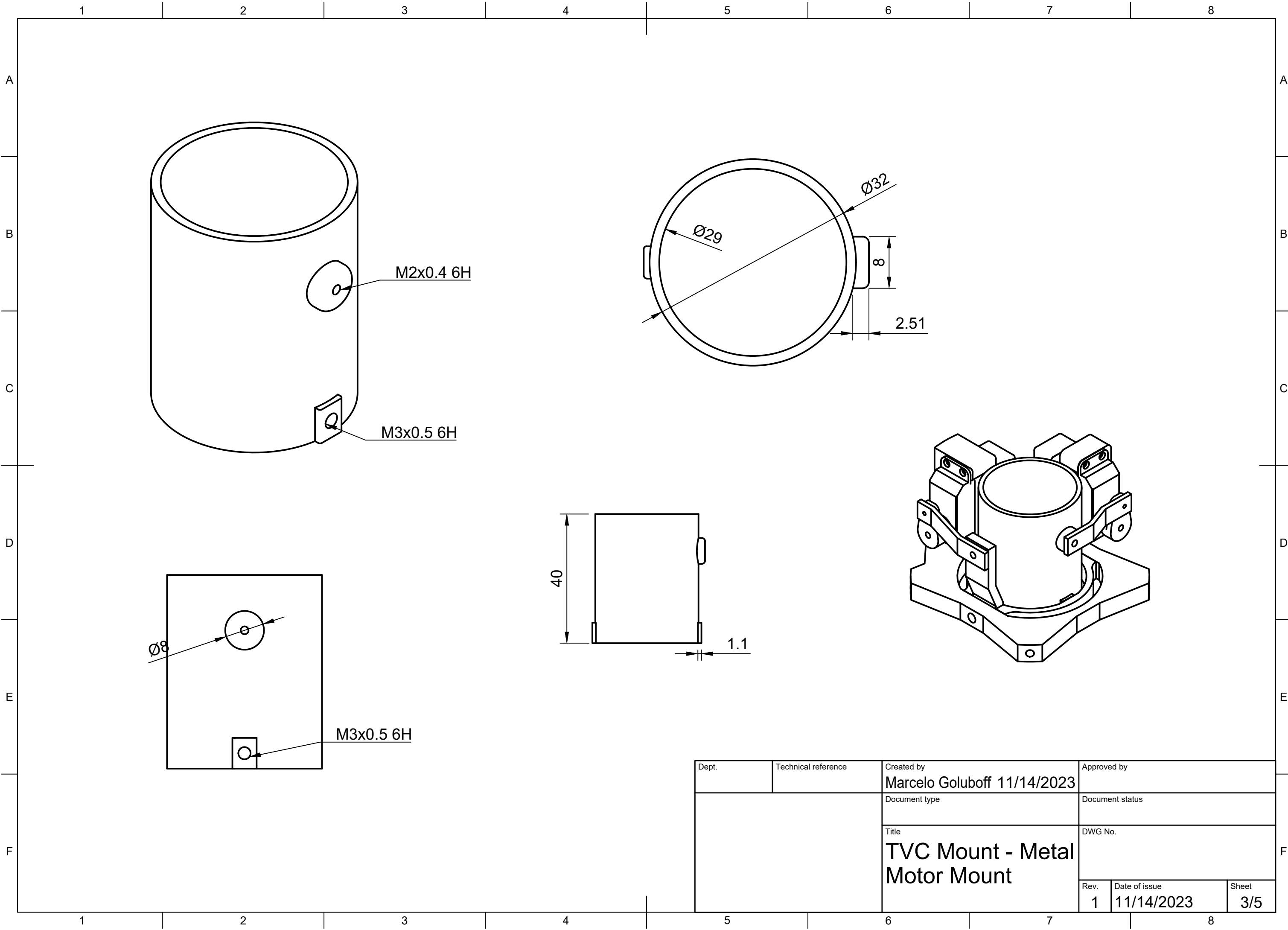
Made to fit HV93i servo motors



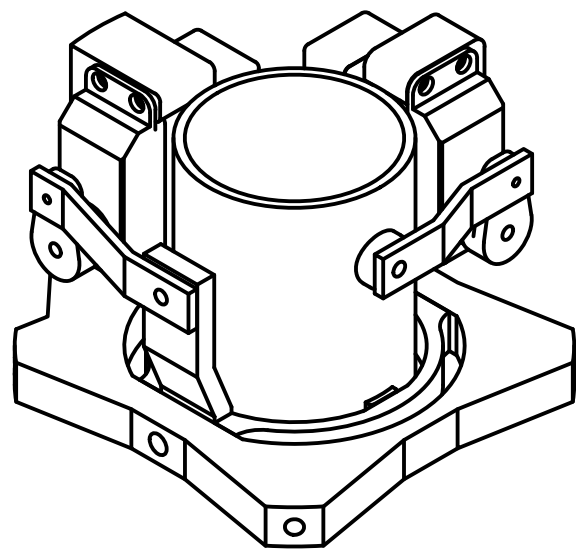
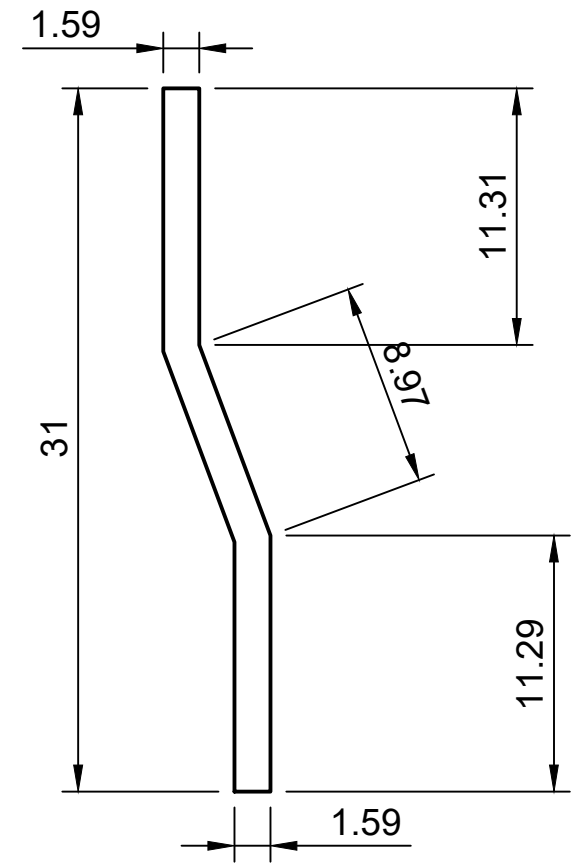
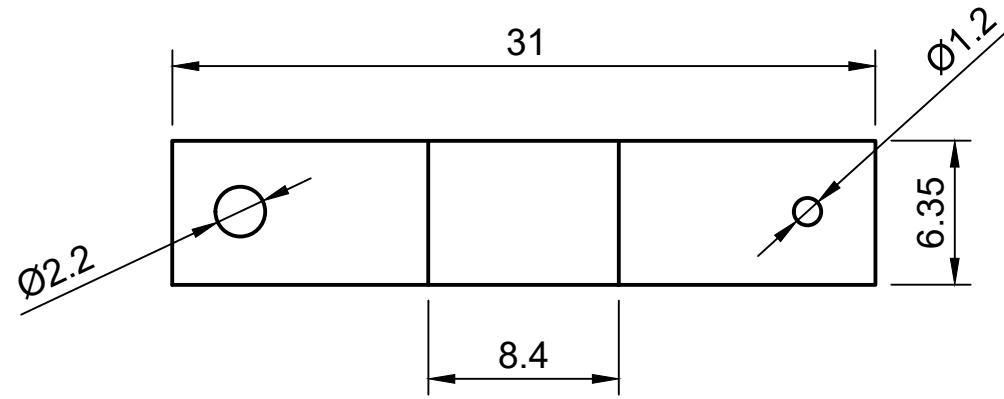
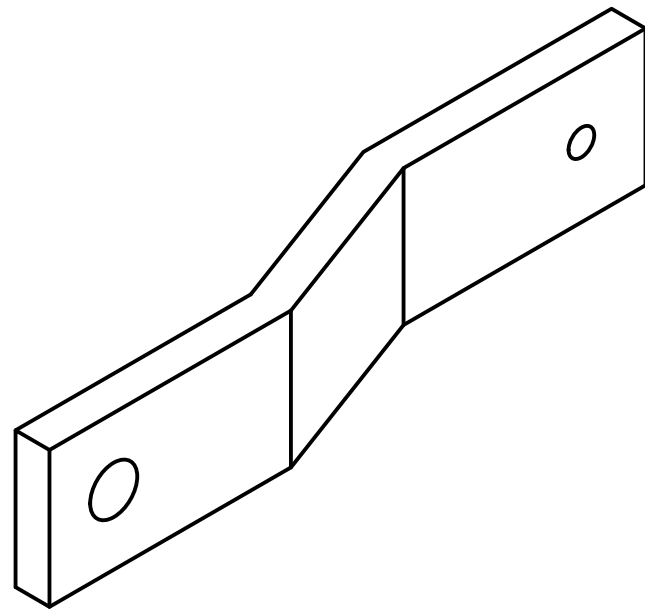
4x M2x0.4 6H



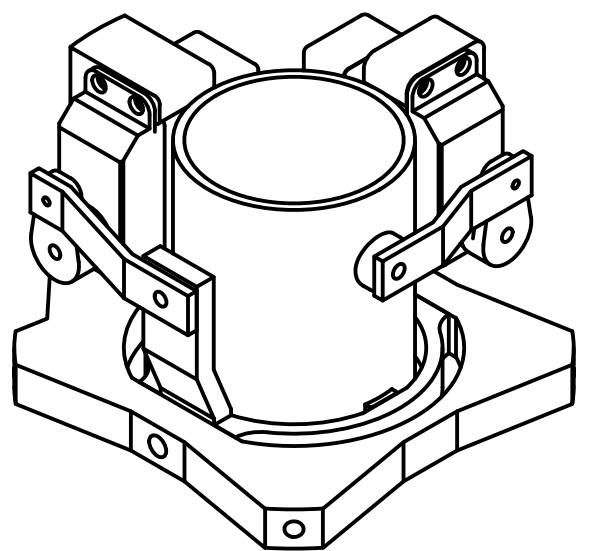
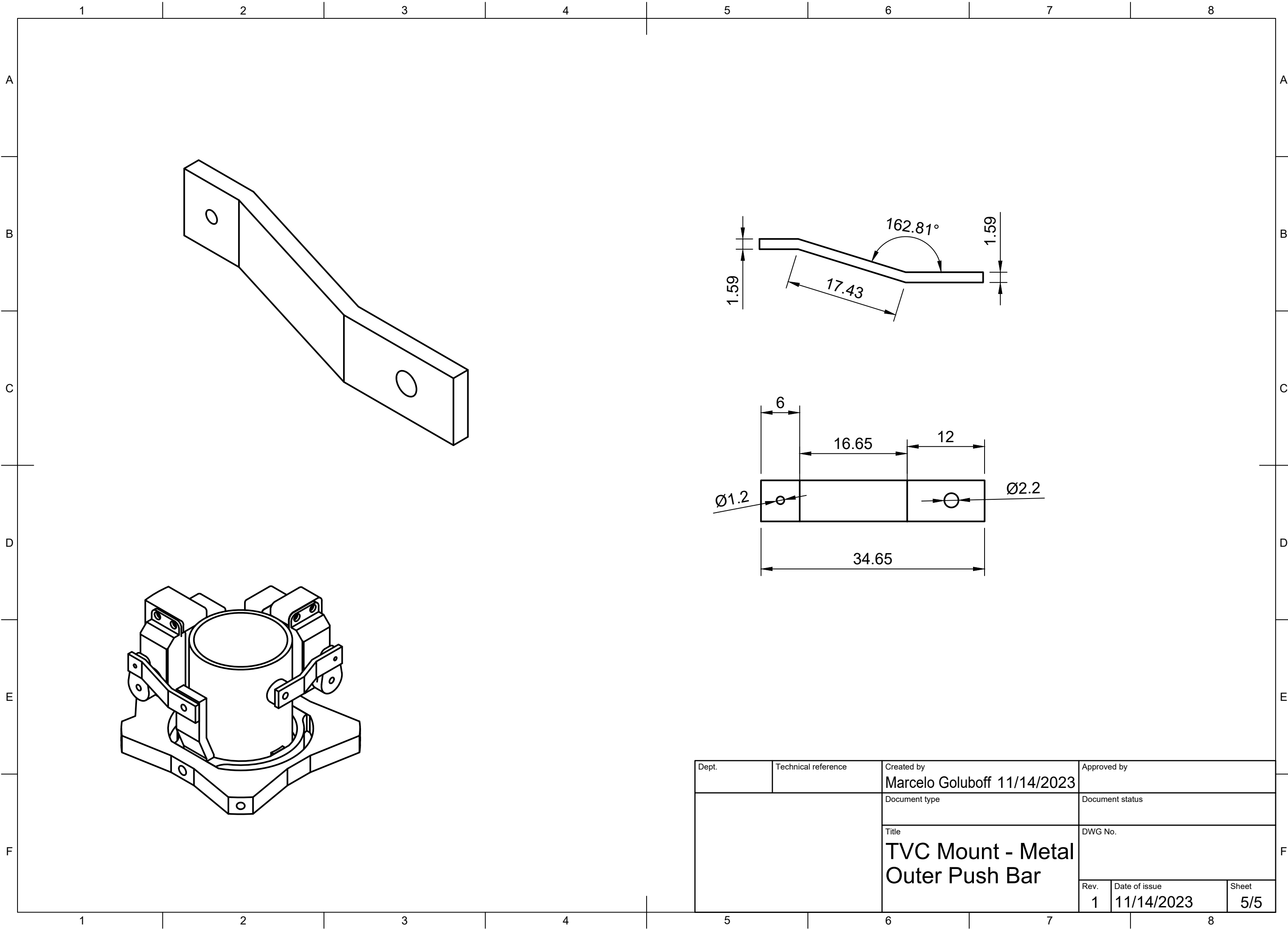
Dept.	Technical reference	Created by Marcelo Goluboff 11/14/2023	Approved by	
		Document type	Document status	
		Title TVC Mount - Metal Inner Mount	DWG No.	
Rev.	Date of issue	Sheet		
1	11/14/2023	2/5		



Dept.	Technical reference	Created by Marcelo Goluboff 11/14/2023	Approved by	
		Document type	Document status	
		Title TVC Mount - Metal Motor Mount	DWG No.	
Rev.	Date of issue		Sheet	
1	11/14/2023		3/5	



Dept.	Technical reference	Created by Marcelo Goluboff 11/14/2023	Approved by	
		Document type	Document status	
		Title TVC Mount - Metal Inner Push Bar	DWG No.	
Rev.	Date of issue	Sheet		
1	11/14/2023	4/5		



Dept.	Technical reference	Created by Marcelo Goluboff 11/14/2023	Approved by	
		Document type	Document status	
		Title TVC Mount - Metal Outer Push Bar	DWG No.	
Rev. 1	Date of issue 11/14/2023	Sheet 5/5		